

POS

POS-6920

The Fanless & Performance 15" True Flat Touch POS Terminal

Features and Benefits:

- True Fanless Design with Dual-Core Atom D525
- 15" True Flat Touch Screen
- Borderless Design of Front Bezel
- All-in-One Slim Panel PC
- Small stand with Integrated Power Adapter
- HDD Easy Maintenance Design
- Optional MSR / i-Button / Fingerprint / VFD / 2nd Display
- Optional integrated Wireless LAN / RFID
- Wall-mountable VESA 100 x 100 Standard



Protech Systems Co., Ltd.

No. 24, Lane 365, Yang Goang Street, Nei Hu District Taipei 114, Taiwan
TEL: +886-2-8751-1111 FAX: +886-2-8751-1199
E-mail: sales@protech.com.tw
http://www.protech.com.tw

Protech Technologies Inc.

950 Fee Ana St, Suite B Placentia, CA 92870
TEL: +1-714- 996-7200 FAX: +1-714- 996-7300
Sales: sales@protech-usa.net
http://www.protech-usa.net

Protech Japan Co., Ltd.

OSK Bldg, 6F, 6-25-14, Minami-ohi Shinagawa-ku, Tokyo, 140-0013
TEL: +81-3-5753-8411 FAX: +81-3-3763-9282
E-mail: sam@protech-j.com
http://www.protech-j.com

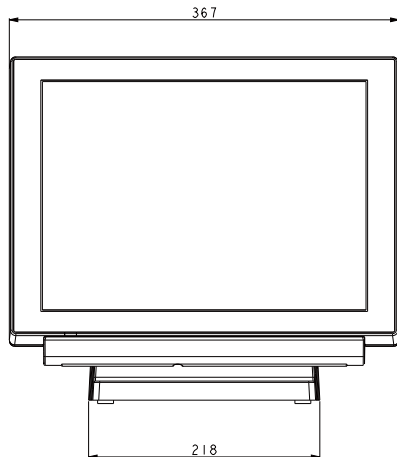


ISO CERTIFIED
9001 14001

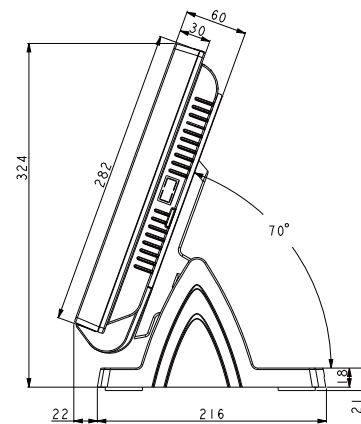
POS-6920

The Fanless & Performance 15" True Flat Touch POS Terminal

Front View



Side View



Unit: mm

Specification

System	
CPU Support	Intel® Atom™ D525 CPU
Memory	1 x DDR3 SO-DIMM Slot, Default 1GB (up to 4GB)
Core Logic	Intel® ICH8M
Network	10/100/1000 Base-T Fast Ethernet
Power Supply	72Watt ~ 120Watt power adapter
System Weight	9 kg
Dimension (W x H x D)	369 x 313 x 336 mm (14.76" x 12.52" x 9.44")
O.S. Support	WINXP /POSReady2009 /WEPOS /WES2009 / WIN7 /POSReady7

Storage

HDD	1 x 2.5" SATA HDD
SSD	Optional Half-Slim SSD
CF	Bootable Compact Flash slot for CF type I/II storages

I/O Ports

USB	4 x USB 2.0 ports / 1 x USB 2.0 on side bezel
Serial Ports	1 x DB-9 (COM 2), 1 x RJ45 (COM 1), +5V/12V selectable, additional 1 x DB-9 for option
PS/2	1 x PS/2 ports (default at keyboard)
LAN	1 x RJ-45
VGA	1 x DB-15 VGA interface
Cash Drawer	1 x RJ11 (+12V or +24V selectable) (default at +12V)
DC in	Link from Power adaptor

Display

LCD	15" TFT LCD
Max. Resolution	1024 x 768
Brightness	250 cd/m ²
Touch Screen	True Flat 5-wire Analog resistive
Tilt Angle	0 ~ 60 degrees

Environment

EMC & Safety	CE / FCC
Operating Temp.	0 ~ 35° C
Storage Temp.	-20 ~ 60° C
Humidity	20 ~ 90%

Ordering Information

POS-6920	15" True Flat POS Terminal with Intel® Atom™ D525 CPU, 1G DDR3 SO-DIMM, 160GB HDD
VFD Customer Display	Vacuum Fluorescent Display, 20 columns and 2 lines, each column is 5 x 7 dots
i-Button	Read only, output through PS/2 interface or with AP decode through RS232 interface
MSR	JIS-I or II, ISO Track1+2+3
Color	Black
OS	WINXP /POSReady2009 /WEPOS /WES2009 / WIN7 /POSReady7
2nd Display	8" / 10.4" LCD Display
Wireless LAN	Mini PCIe Wireless LAN Module 802.11 b/g
MSR /Fingerprint (External vertical module)	MSR, Read only, ISO Track1+2+3 (PS/2 KB Interface) + Fingerprint (USB Interface)
RFID	ISO,14443A, Mifare® Class / UltraLight, Mifare® PRO, DESfire, DESfire EV1

All of trademarks and brand names are the property of their owners. Trademark "Protech" is the property of Protech Systems Co., Ltd. All information contained in this document is subject to change without any prior notice. This catalog is copyrighted in Dec. 2011.